

FORTIS W LED Flood Lights

The LED Fortis W Flood Light was designed based on market need for an economical yet reliable and efficient LED replacement for current HID and SON flood lights. These models are very popular among signage owners and is suited for general flood light applications. As an economical family of the FORTIS I series meant for heavy industries, Fortis W carries similar heavy-duty features in the economical flood light market.

Applications:

- Sports Lighting
- High mast lighting
- Warehouses
- Signage



MADE IN MALAYSIA

LED FLOOD LIGHTS G2

FORTIS SERIES



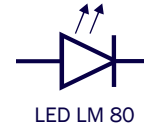
IP65



50K HOURS



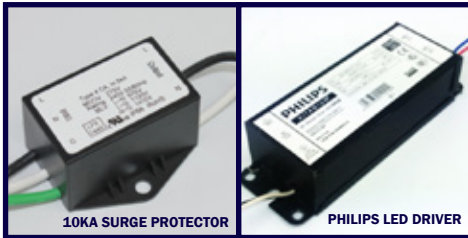
10KA PROTECTION



LM80 50K HRS



50K Hrs LED DRIVER



■ OSRAM LED | LUMILED LED

■ ADVANLED LED DRIVER

General Characteristics

- Input Voltage: 90 - 250 VAC
- Operating Temperature: -20°C to 50°C
- Life Time: 50,000 Hours
- Warranty: 3 Years
- Storage Temperature: 10°C - 65°C
- Body Color: Grey
- Finishing Materials: Aluminium & Tempered Glass
- Weight: 5.5kg (150W) | 7.3kg (200W)
- Working Humidity: 10% - 90% RH

Specifications

Model	Luminous Flux (lm)	Power (W)	System Efficiency (lm/W)	CCT (K)	Beam Angle (°)	Part No.
AvL-FL-TG	15,000	150	100	3000K	120°	AvL-FL-TG150P-SP-L00-2 G2
				4000K		AvL-FL-TG150P-SP-L00-3 G2
				5700K		AvL-FL-TG150P-SP-L00-1 G2
	20,000	200		3000K		AvL-FL-TG200M-SP-L00-2 G2
				4000K		AvL-FL-TG200M-SP-L00-3 G2
				5700K		AvL-FL-TG200M-SP-L00-1 G2

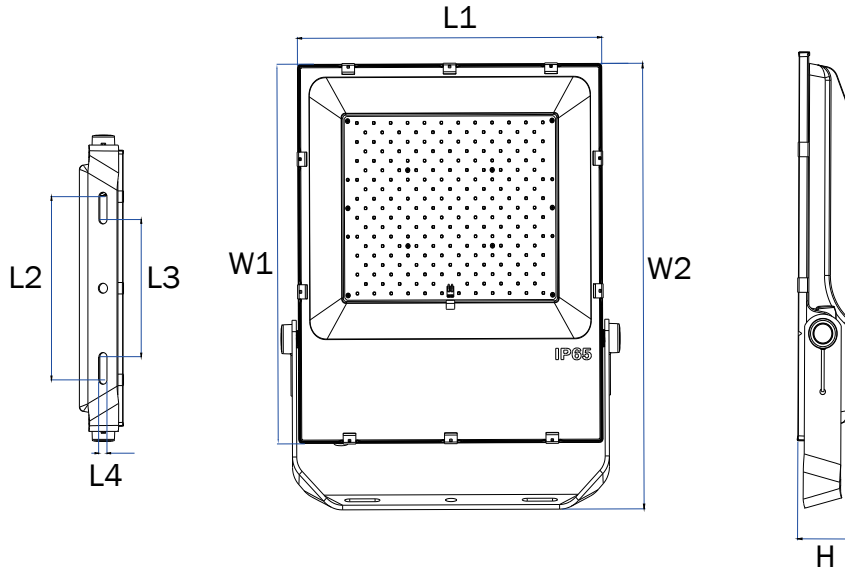
Colour temperature (1=Cool White(5700K), 2=Warm White(3000K), 3=Neutral White(4000K))

* Terms and conditions apply.

AdvanLED

Dimensions

Dimensions in mm

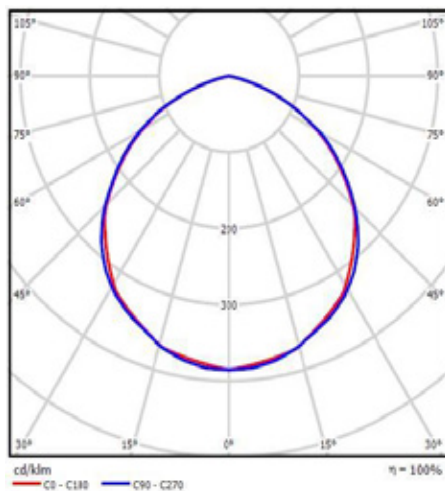


	AvL-FL-TG150P
Length (L1)	
Length (L2)	240
Length (L3)	180
Length (L4)	11.5
Width (W1)	365
Width (W2)	430.25
Height (H)	60

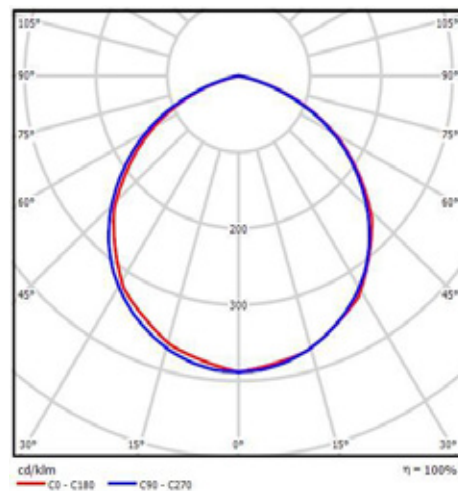
	AvL-FL-TG200M
Length (L1)	360
Length (L2)	240
Length (L3)	180
Length (L4)	11.5
Width (W1)	400
Width (W2)	470.25
Height (H)	60

* The dimension is for illustration only.

Polar Diagram



AvL-FL-TG150P-SP-L00-y G2



AvL-FL-TG200M-SP-L00-y G2

x refers to power (TG150P or TG200M)

y refers to colour temperature (1=Cool White(5700K), 2=Warm White(3000K), 3=Neutral White(4000K))

Packaging Information

Packaging measurement L x W x H in mm



Box for Flood Light

	Measurements
AvL-FL-TG150P	555 x 460 x 135
AvL-FL-TG200M	510 x 430 x 135

**This is for illustration purpose. The actual may be differ.*

